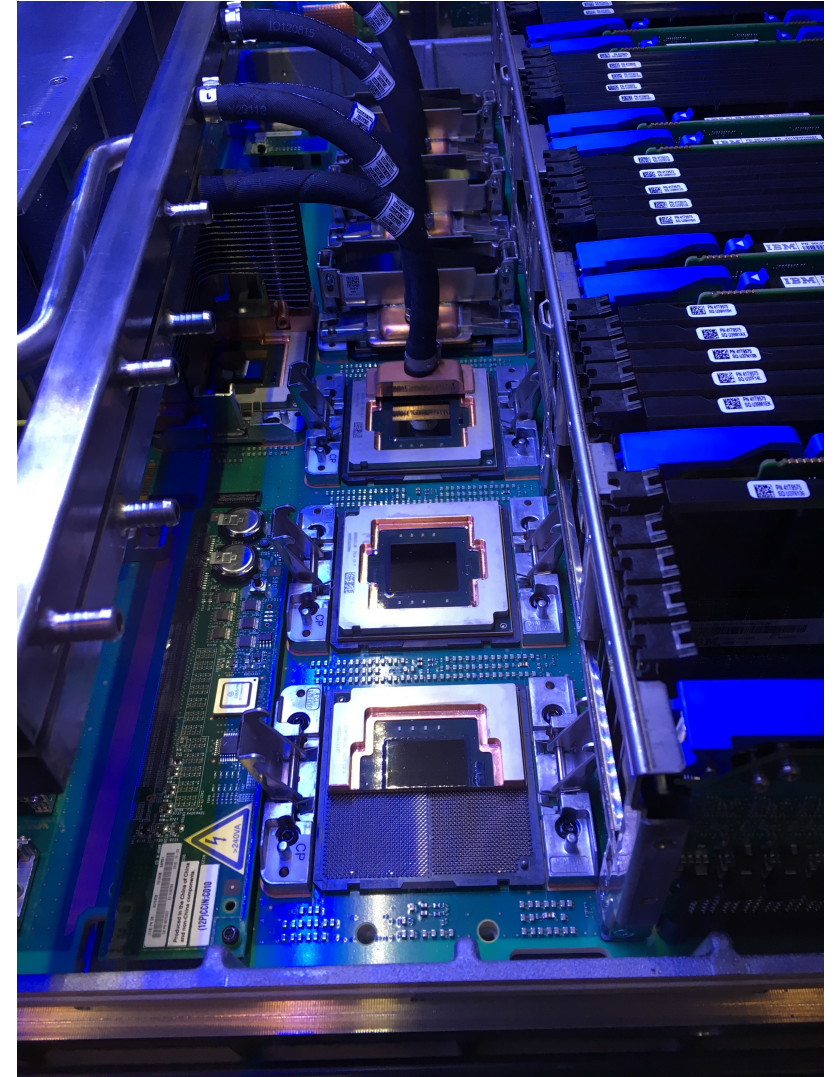
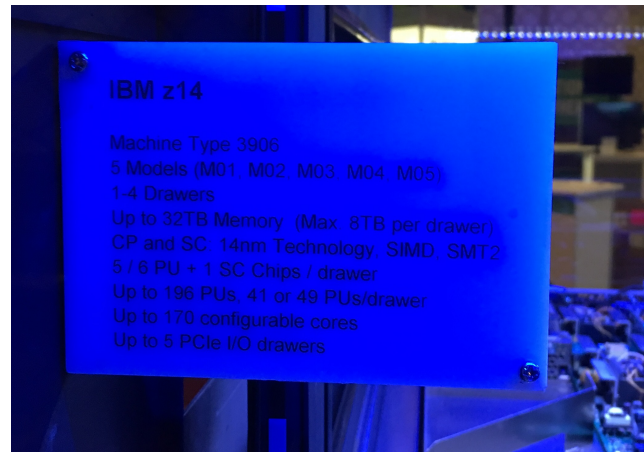




IBM **LinuxONE™**



# World's leading businesses run on IBM Z



92

of the top 100 worldwide banks



10

out of 10 of the world's largest insurers



23

of the top 25 US retailers



23

out of 25 of the world's largest airlines

## processing the world's transactions & data

80 percent

of the world's corporate data resides or originates on mainframes

23 billion

ATM transactions per year processed by the mainframe worth more than \$1.4 trillion

55 percent

of all enterprise applications need the mainframe to complete transactions

30 billion

business transactions processed on the mainframe per day

\$6 trillion

credit and debit card payments processed annually (nearly 100% of all credit card transactions)

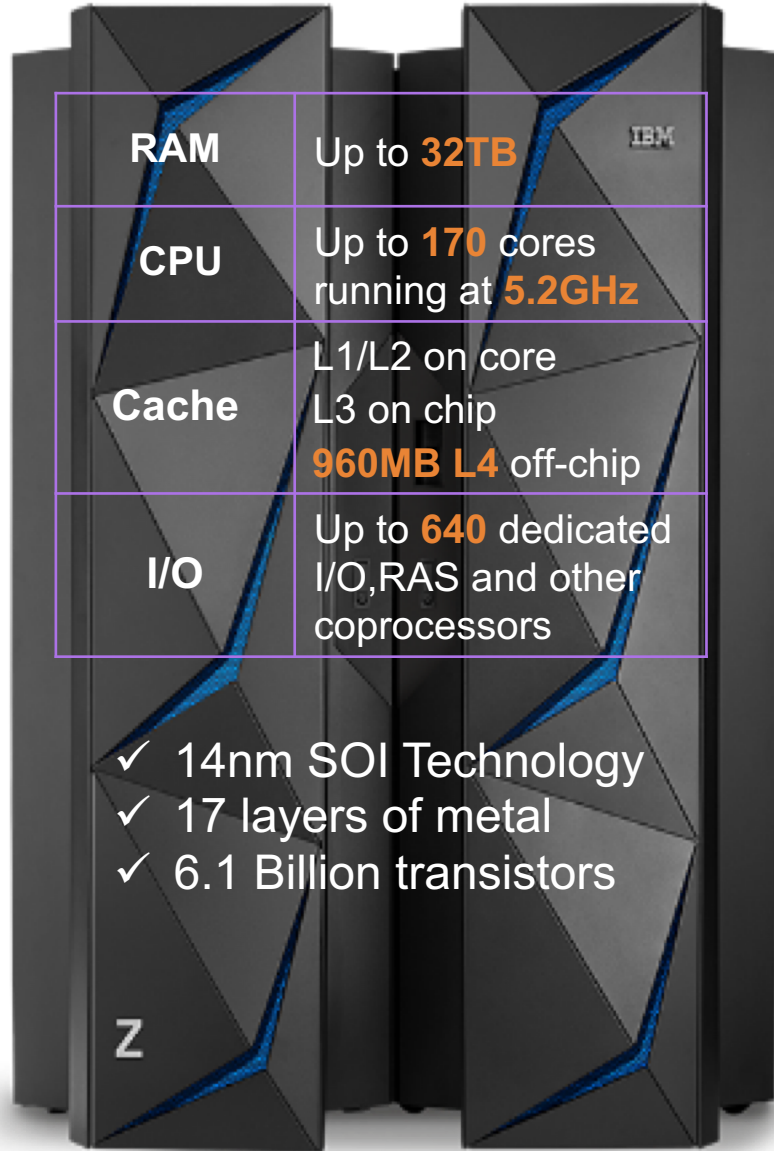
3 billion

travelers a year; with 2x that expected by 2030 (mainframes process nearly all air travel reservations)

91 percent

of surveyed CIOs said that new customer-facing applications are accessing the mainframe



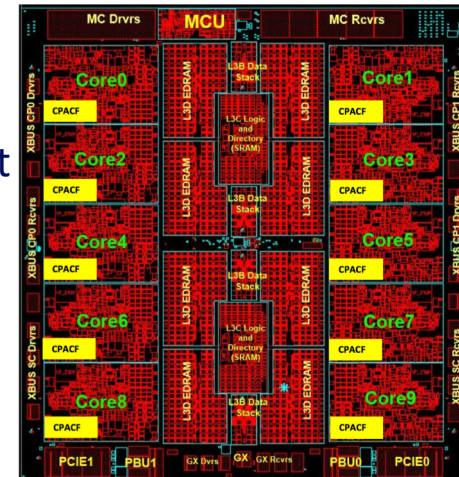
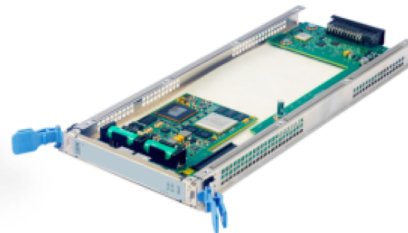


## Extreme Virtualization and Scale

- Hypervisor partitioning built into firmware
  - Complete isolation – **EAL5+**
- 85 hypervisors– z/VM or KVM
  - **1k** Linux guests/hypervisor
  - **>2 million docker** containers
  - Hypervisor communication is via fast, in-memory sockets
    - **3x less latency than discrete servers**
- Non-disruptively add/remove Linux resources from Linux guests
- Non-disruptively add/remove Linux guests
- Built-in error detection and correction for high availability

## Security in hardware

- Each core has its own cryptographic co-processor
- Crypto Express6S PCIe card adds additional crypto capability
  - Elliptic Curve, SHA3, Visa FPE, etc.
- Meets FIPS 140-2 level 4 , ANSI, PKI, and DK standards
- End-to-end pervasive encryption with no performance impact



# The promise of open-source data serving on IBM LinuxONE

## security

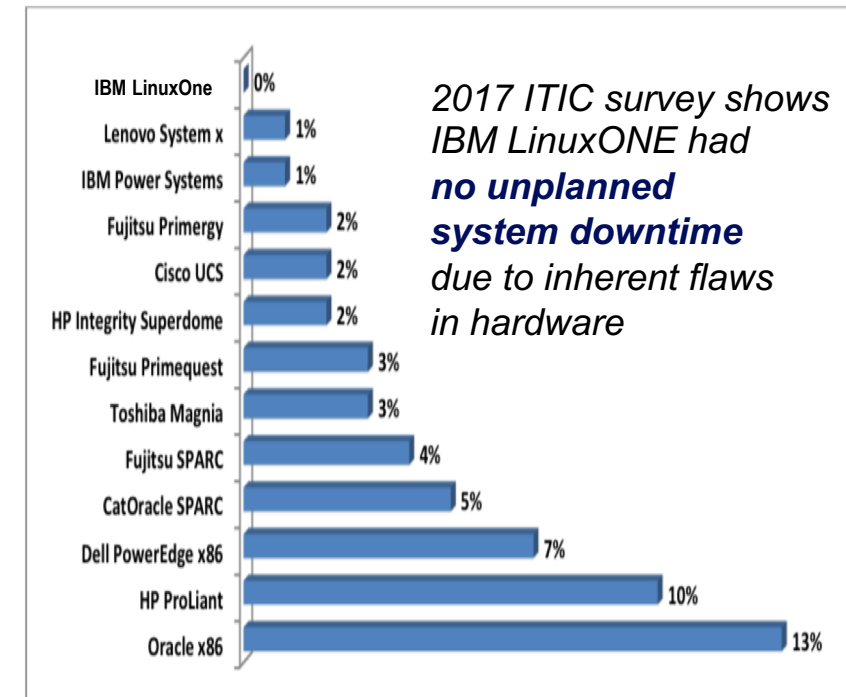
- Pervasive encryption across the entire system
- Protected-keys on LinuxONE provides significantly enhance security over open-key technology, while offering **up to 28x better performance** over standard secure-key technology
- Isolation on LinuxONE starts at the hardware ...  
*"What happens in a VM stays in a VM"*

## performance and scalability

- Scale-up a single MongoDB instance to **17 TB on a single system** without database sharding
- Run the YCSB benchmark on MongoDB with **up to 2.6x more throughput** per core
- Run the pgBench benchmark on PostgreSQL with **up to 2x more throughput**
- Pause-less Garbage Collection. **10X** shorter pause-times for Java

## availability

### minimal unplanned downtime



# A rich ecosystem already runs on LinuxONE and IBM Z

Distributions	Hypervisors	PaaS / IaaS	Languages	Runtimes	Management	Database	Analytics
	LPAR						
Supported by Canonical	KVM						
Community Versions				OpenJDK			
					DPM		
						Db2	



# IBM LinuxONE™ Community Cloud

*Wondering how your code will run on LinuxONE?*

The IBM LinuxONE Community Cloud provides a no charge, self-provisioned SUSE or Red Hat virtual machine on an IBM LinuxONE Enterprise Server (s390x architecture) to develop, test, and run your apps.

<https://developer.ibm.com/linuxone>

